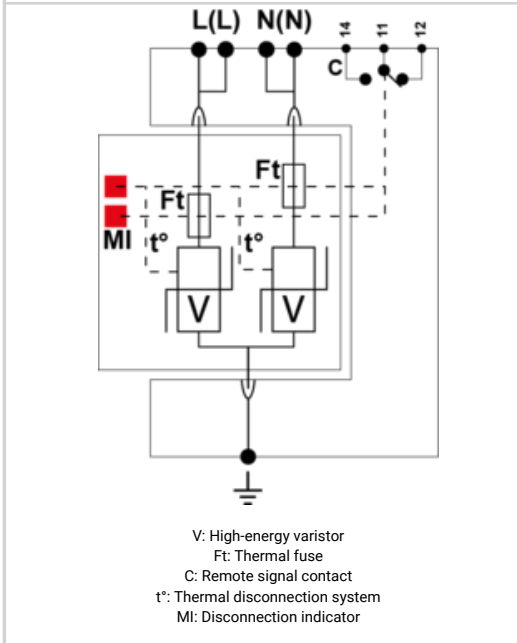
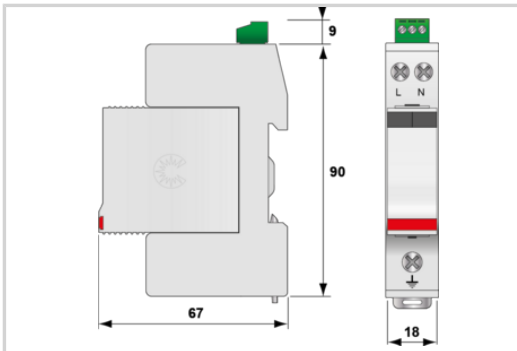


DS240S-400



- MOV Technology
- UL1449 Type 4CA
- 40kA Surge Current Rating
- Visual fault indicator and remote contacts
- 10-Year warranty



Electrical Characteristics		
Total Maximum discharge current max. total withstand @ 8 /20 μs	I _{max} Total	80 kA
Protection mode(s)		Common mode/Differential mode
POWER SPD TYPE		UL1449 5th Ed. TYPE 4CA
AC/DC/DC PV/RF		AC
PHASE	(PH)	1S
AMPS	(A)	n/a
AMBIENT MIN	(C)	-35
AMBIENT MAX	(C)	+60
MODES		L-N, L-G, N-G
MLV	(V)	3740/-/2410/-
MCOV	(V)	600/-/400/-
IN15 impulses 8/20μs	(kA)	20
SCCR	(kA)	n/a
IMAX8/20μs	(kA)	40
label.propertyGroup.OPTION		
Remote status dry contact electrical ratingMax Voltage	V	250.0000
Remote status dry contact electrical ratingMax Current	A	0.5000
RFI Filter		No
label.propertyGroup.INSTALLATION		
Wiring type		screw
Solid wire cross sectionMin	mm ²	1.5000
Solid Wire cross sectionMax	mm ²	16.0000
Stranded Wire cross sectionMin	mm ²	1.5000
Stranded wire cross sectionMax	mm ²	10.0000
Wire gaugeMin	AWG	15.0000
Wire gaugeMax	AWG	5.0000
Torque	Nm	1.2-1.5
Torque	in-lbs	10.6-13.3
Strip Length	mm	16.0000
Strip Length	in	0.6300
Operating TemperatureMin	°C	-40.0000
Operating TemperatureMax	°C	85.0000
Operating TemperatureMin	°F	-40.0000
Operating TemperatureMax	°F	85.0000
Operating Relative HumidityMax	%RH	95
Operating AltitudeMin	Ft	2000.0000
Operating AltitudeMax	Ft	6500.0000
Housing/Enclosure material		Thermoplastic
Flammability ratingUL 94		V0
Mounting		Rail Din
IP Environmental ratingIP		IP20
Installation Location		Indoor / outdoor
Spare part		Module
Product DimensionL	mm	90.0000
Product DimensionH	mm	67.0000
Product DimensionW	mm	18.0000
Product DimensionL	In	3.5400
Product DimensionH	In	2.6300
Product DimensionW	In	0.7100
label.propertyGroup.MISCELLANEOUS		
Individual Pack		Yes
Storage TemperatureMin	°C	-40.0000
Storage TemperatureMax	°C	85.0000
Storage TemperatureMin	°F	-40.0000

DS240S-400

Storage TemperatureMax	°F	85.0000
Storage Relative HumidityMax	%RH	95.0000
Mechanical Characteristics		
Weight		0.145 kg
TECHNOLOGY		MOV
NETWORK CONFIGURATION		1PH, 2W+G, Single Phase (or 2PH, 2W+G, Two Phase)
CONNECTION METHOD		Screw Terminal (8-12AWG)
MOUNTING		DIN RAIL
MATERIAL		Thermoplastic UL94-V0
NEMA RATING (IP RATING)		NEMA 2 (IP20)
FAIL-SAFE BEHAVIOR		Disconnection via fuse-link
REAL-TIME DIAGNOSTICS		Visual indicator and remote contacts
DIMENSIONS		See diagram (mm)
WEIGHT		0.30 lbs
Standards		
Certification		CSA /EAC/UL
UL STANDARD		UL1449 5th Edition
UL CATEGORY		VZCA2, VZCA8
UL FILE NUMBER		E326289
STANDARDS		NOM-003-SCFI-2014, NOM-001-SCFI-1993
ENVIRONMENTAL STANDARDS		ROHS
Part number		
311411		